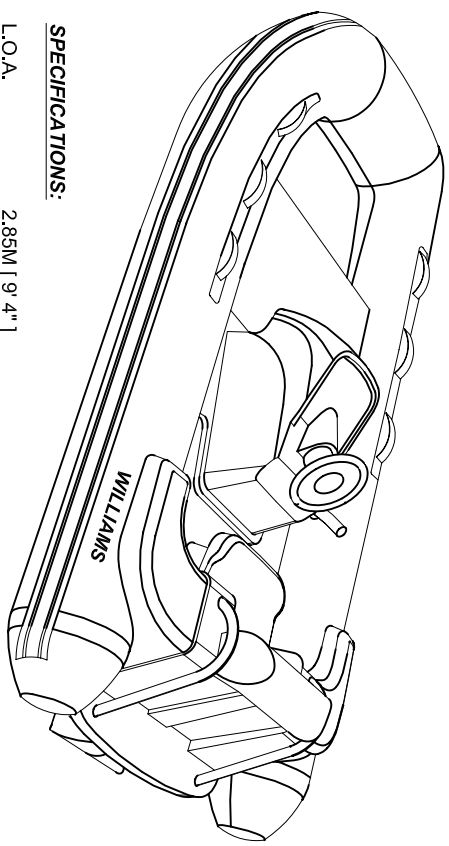
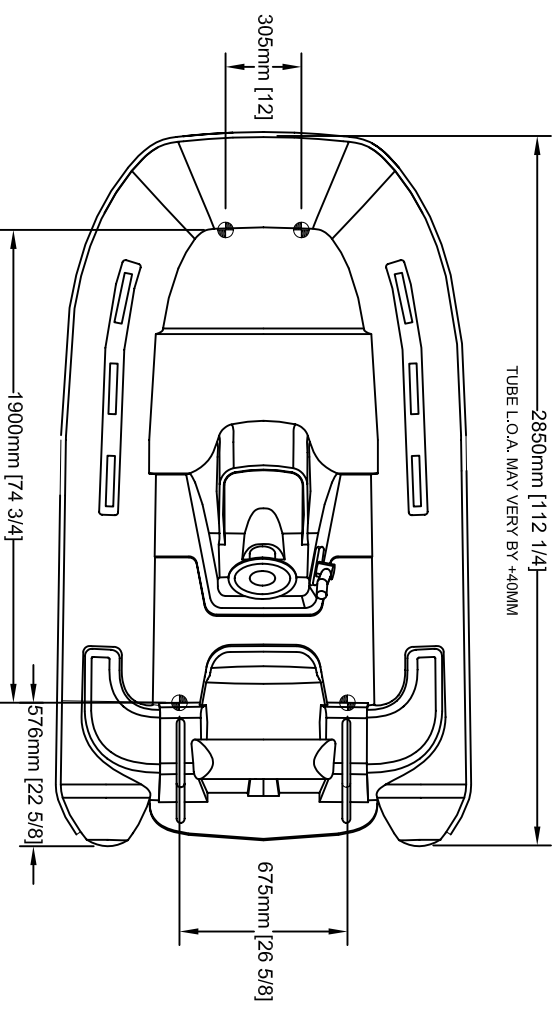
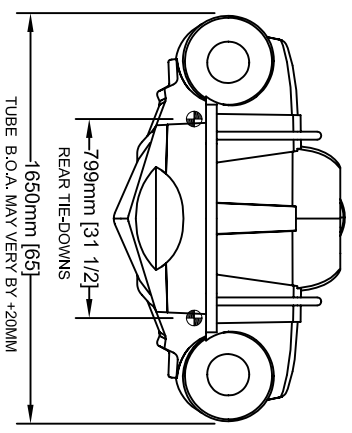
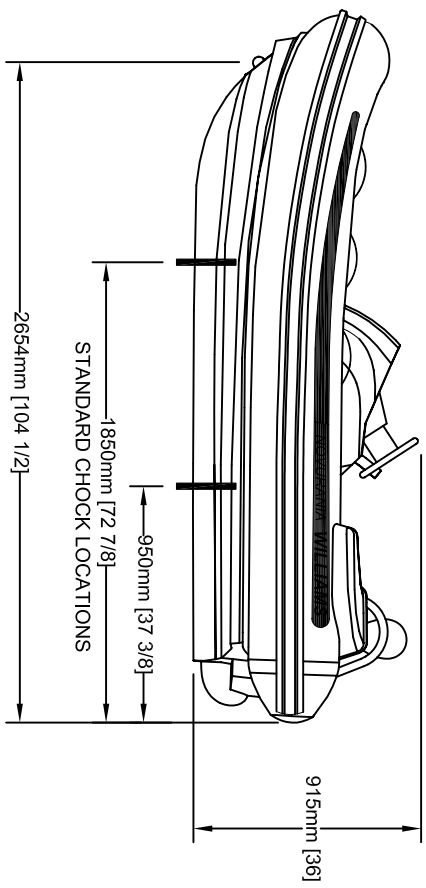


REV.#	REVISION NOTES	DATE

WILLIAMS TURBO JET 285



- SPECIFICATIONS:**
- | | |
|------------|-----------------------------------|
| L.O.A. | 2.85M [9'4"] |
| BEAM | 1.65M [5'5"] |
| MAX HEIGHT | 910mm [36"] |
| FUEL | 41 L. 10.8 GAL. |
| ENGINE | WEBER MPE 750 (4 STROKE) (104 HP) |
| DRY WEIGHT | 285 KG 627 LBS. |
| SEATING | 3 ADULTS PLUS 1 CHILD |
| TUBE | PVC FABRIC |

This document and the information therein is exclusive property of Williams and may not be disclosed or reproduced without prior written permission of WPT Ltd

WILLIAMS TURBO JET 285	
Williams Performance Tendons Ltd. Vogue Business Park Barnsfield Oxfordshire	
E-MAIL: Sales@williamsperformance.com	
DATE: 10-11-06	DRAWN BY: MDC