

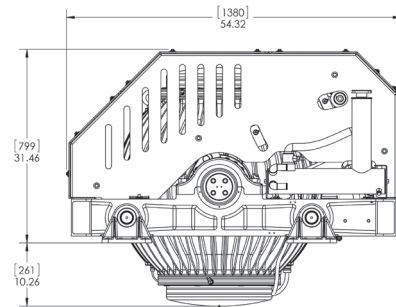
**The Seakeeper 35** is designed to achieve 70 to 90% roll reduction on boats up to 140 tons. Multiple units can be fitted for larger boats. The Seakeeper 35 requires only modest electrical power, has no outside appendages, and can be installed off centerline, if necessary. Its computerized control and vacuum technology make it the first truly practical, and only modern, anti-roll gyro.



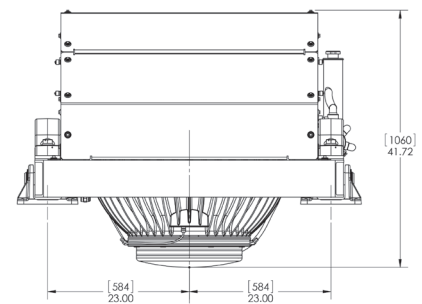
### SPECIFICATIONS

<b>Rated Speed</b>	5,150 RPM
<b>Angular Momentum at Rated RPM</b>	35,000 N-M-S
<b>Anti-Rolling Torque at Rated RPM</b>	73,000 N-M
<b>Spool-up Time to Rated RPM</b>	65 minutes (5,150 RPM)
<b>Spool-up Time to Stabilization</b>	55 minutes (4,700 RPM)
<b>Spool-up Power</b>	
AC Motor:	5000 Watts Max
DC Control:	240 Watts
<b>Operating Power</b>	
AC Motor (sea state dependent):	2000-5000 Watts
DC Control:	240 Watts
AC Input Voltage:	208-230 VAC (+/- 10%), 50/60 Hz, Single Phase
DC Input Voltage:	24 VDC @ 15 Amps
<b>Sea Water Supply to Heat Exchanger</b>	45.4 LPM (12 GPM) maximum 37.8 LPM (10 GPM) minimum
<b>Maximum Ambient Air Temperature</b>	0°-60° C (32°-140° F)
<b>Weight</b>	1720 kg (3800 lbs) bolt-in installation
<b>Gyro Dimensions</b>	Length x Width x Height 1.38 L x 1.42 W x 1.06 H (meters) 54.3 L x 55.9 W x 41.72 H (inches)
<b>Noise Output</b>	Steady state noise measured in the factory at a 1 meter distance measures 72-74 dBC.

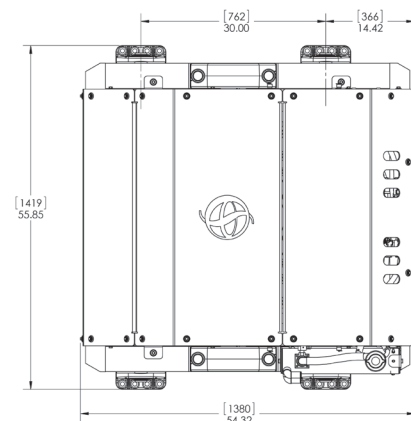
### PORT VIEW



### FRONT VIEW



### TOP VIEW



**SEAKEEPER®**

Tame the Sea